



WELLNESS

Screens

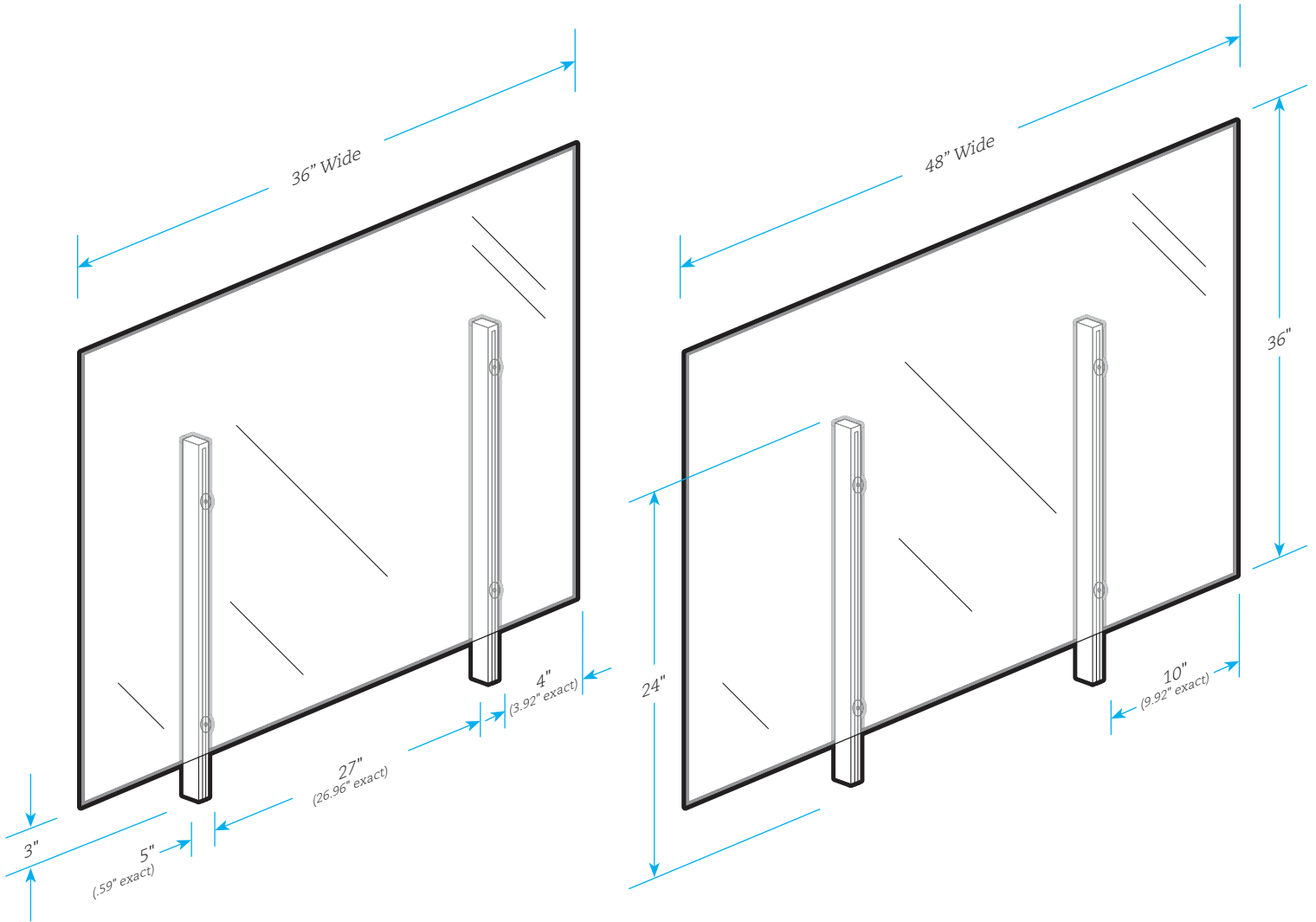
wellness solutions



Wellness Screens

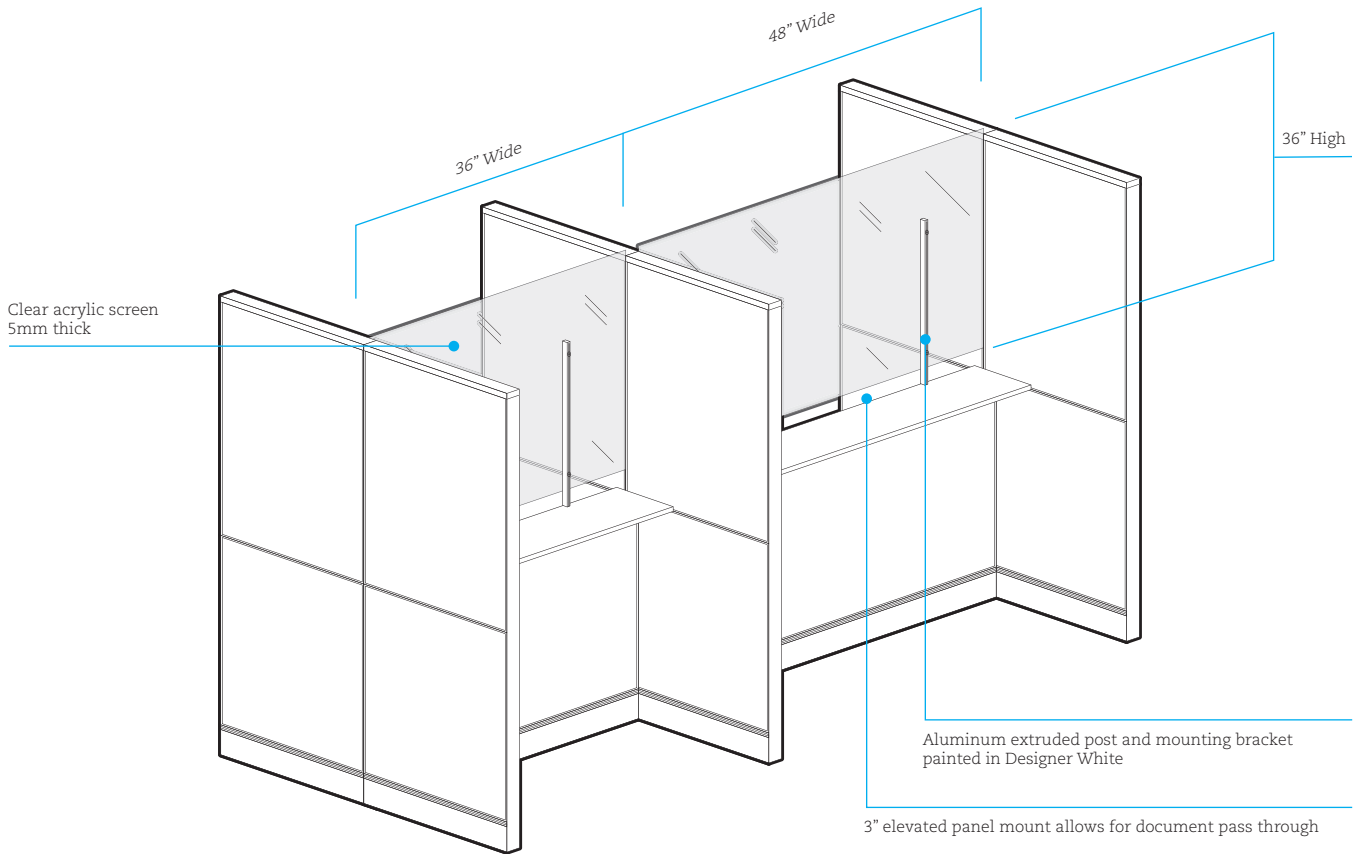
Protective barriers to help prevent the spread of germs

Provide your employees and customers with a protective barrier to help prevent the spread of germs. Often referred to as sneeze guards, these screens are designed to integrate into reception, open plan offices and point of sale areas. Made from clear acrylic, these screens are easy to wipe clean and sanitize to help maintain a healthy environment. Several mounting options allow the screens to be easily secured and removed without damaging the existing furniture or used as a permanent fixture.



Wellness Screens

Protective barriers to help prevent the spread of germs



Product Options



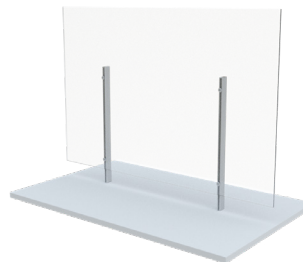
GCTCSG

- For use with existing worksurface or transaction top
- Aluminum extruded post with "C" mounting bracket
- Connects to 1" / 1 1/8" (LP) or 1 1/2" (W) tops



GCBRMSG

- Screw down surface mount
- Aluminum extruded post with flat face mount bracket



GCBMSG

- Freestanding board mounted screen
- Laminate base is 12" deep, 36/48" wide available in standard finishes



GCAMSG

- Under mount barrier
- Drilling required



Please visit globalfurnituregroup.com for additional product information including environmental certifications.

U.S.A.
Global Furniture Group
17 West Stow Road P.O. Box 562
Marlton New Jersey U.S.A. 08053
Tel (856) 596-3390 (800) 220-1900
Fax (856) 596-5684

Canada
Global Furniture Group
1350 Flint Rd., Toronto Ontario Canada M3J 2J7
Sales & Marketing: Tel (1-877) 446-2251
Customer Service: Tel (800) 361-3782
Government Customer Service: Fax (416) 739-6319

Offices throughout Canada, United States, United Kingdom and Brazil. Distribution around the world. A member of Global Furniture Group. © 2020 ®™ Trademarks of Global Furniture Group. These products may be covered by one or more issued patents or pending patent applications in Canada, the U.S. and elsewhere. All intellectual property rights in applicable trademarks, patents and industrial designs are strictly reserved. Made in Canada. Specifications are correct at time of printing. 040820